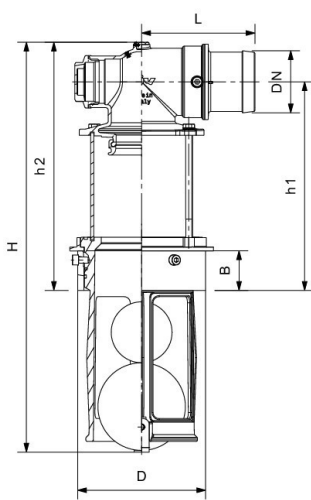




RIV 411

Primary shut-off valve
with double ball and sight glass

Tech drawings and tables

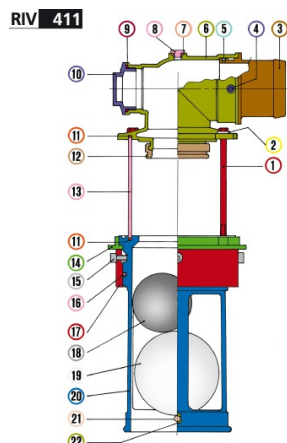


DN	Code	H	L	B	D	h1	h2	PN	KG	P/box
45	050411000052	458	119	50	133	245	292	3bar - 45psi	5,336	1
50	050411000053	458	119	50	133	245	292	3bar - 45psi	5,287	1
60	050411000055	458	126	50	133	245	292	3bar - 45psi	5,305	1
75	050411000059	540	147	52	168	274	326	3bar - 45psi	8,174	1
80	050411000061	540	149	52	168	274	326	3bar - 45psi	8,034	1

Advantages

- 360° orientation
- Techno-polymer basket for a better crash- and corrosion resistance
- Possible application of a pressure relief valve and a mano-vacummeter

Technical data



Materials			
1	Screw	Stainless steel	AISI 304
2	Washer	Stainless steel	AISI 304
3	Hose-connection	Brass	CB754S
4	Hex screw	Stainless steel	AISI 304
5	O-Ring	NBR	
6	Body	Brass	CB754S
7	O-Ring	NBR	
8	Plug	Brass	CW614N
9	O-Ring	NBR	
10	Plug	Brass	CW617N
11	Gasket	NBR	
12	Gasket	NBR	
13	Sight glass	PMMA	
14	Screwed ring	Brass	CB754S
15	Hex screw	Stainless steel	AISI 304
16	O-Ring	NBR	
17	Ring	Steel	
18	Ball	EPDM	Wood core
19	Ball	PEDH	
20	Basket	PP	Blue
21	Rivet	Brass	CW614N
22	Bracket	Stainless steel	AISI 430

Connections	Hose-connection
Limit	-20°C (without liquid) +90°C
Notes	The max. working pressure (PN) means at a room temperature of about 23°C.